



Authorized Distributor:
FOODSERVICE EQUIPMENT MARKETING
10 CARRON PLACE-KELVIN IND.ESTATE G75 0YL GLASGOW()
TEL./FAX. 0044-1355 244111 / 0044-1355 241471
E-mail:vanhentend@fem.co.uk

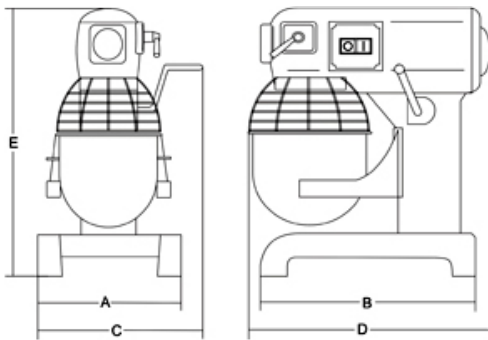


Sirman Planetary Mixers , model Plutone 20 :

- Machine body made from large thickness powder coated steel
- bowl protection made from metal wire
- easy to remove bowl made from stainless steel 304
- safety microswitches for the lid and the bowl
- 3 easy to remove metal tools: aluminium spatula and hook, steel and aluminium whisk
- 3 speed gear
- steel gear box
- ventilated motor



Data sheet



Technical data

Model	Plutone 20
Power	watt 1100
Power source	1ph
Speed 1 - revolutions	r.p.m. 97
Speed 2 - revolutions	rpm 220
Speed 3 - revolutions	rpm 316
Bowl capacity	lt 20
A	mm 420
B	mm 440
C	mm 515
D	mm 560
E	mm 770
Net weight	kg 99
Shipping	mm 570x630x920
Gross weight	kg 125
HS-CODE	84381090